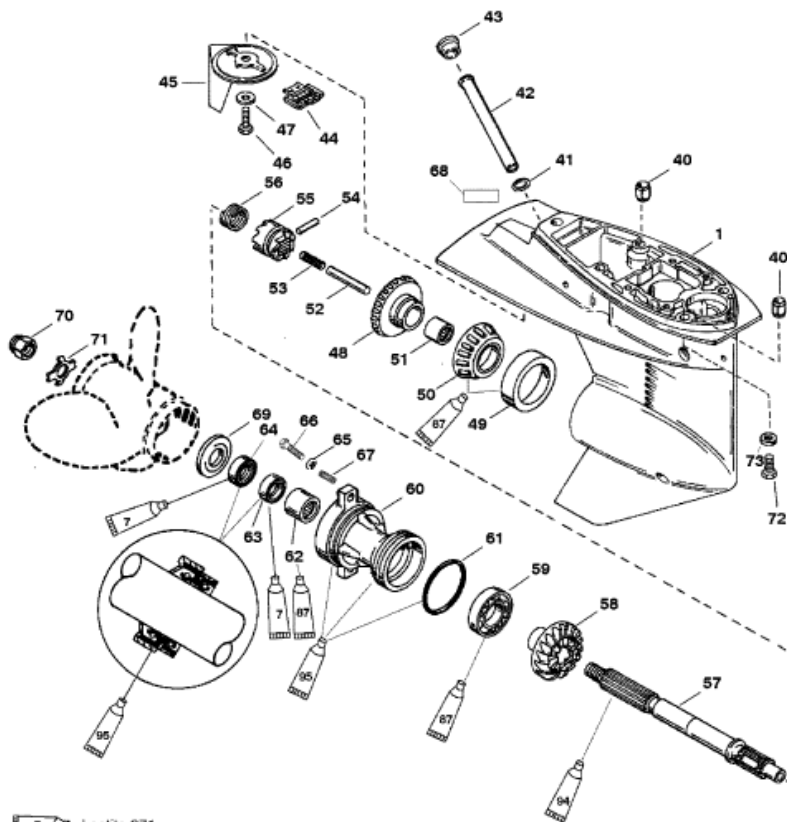





**3.44 IN./135MM
 TORPEDO DIA.**



-  Loctite 271
-  Belray 85413 Gear Oil (92-816028)
-  Chemtool Duralube Special (92-824501)

Parts List						
Ref	Class	Part	Description	Qty	Comment	Footnote
-	1682	821306A26	GEAR HOUSING	1	(BLACK) SHORT	
-	1682	821306A27	GEAR HOUSING	1	(GRAY) SHORT	
-	1682	821306A28	GEAR HOUSING	1	(BLACK) LONG	
-	1682	821306A29	GEAR HOUSING	1	(GRAY) LONG	
1	1682	821306A12	GEAR HOUSING	1	(BASIC-BLACK)	
1	1682	821306A13	GEAR HOUSING	1	(BASIC-GRAY)	
40	17	821327	DOWEL PIN	2		
41	27	823942	GASKET WATER TUBE	1		1
42	32	821828	TUBE	1		
43	19	824928	PLUG-RUBBER	1		
44		821829	SCREEN-WATER INLET	1		
45		822157C 2	TRIM TAB	1		
46	10	824970 20	SCREW (M8 X 20)	1		
47	12	72397	WASHER	1		
48	43	822162A 2	FORWARD GEAR ASSEMBLY (2	1		
49	31	99328A 1	ROLLER BEARING ASSEMBL	1		
50		NSS	CUP	1		4
51	31	41326	ROLLER BEARING	1		
52		821578	FOLLOWER-CAM	1		
53	24	826199 1	SPRING	1		
54	17	85093	PIN-CROSS	1		
55	52	821314	CLUTCH	1		
56	24	38114	SPRING	1		
57	44	821577 2	PROPELLER SHAFT	1		
58	43	822163	REVERSE GEAR (22 TEETH)	1		
59	30	20839	BALL BEARING	1		
60		19291A 3	BEARING CARRIER	1		
61	25	815460	O RING	1		1.5
62	31	21700	NEEDLE BEARING	1		
63	26	69188	OIL SEAL	1		5
64	26	69189	OIL SEAL	1		5
65	12	70132	WASHER	2		
65	12	855941	WASHER	2	(USE WITH THREADED INSERT	
66	10	40003 53	SCREW (M8 X 25 - CAP SCREW	2		
66	10	855940 30	SCREW	2	(USE WITH THREADED INSERT	
67		822773 1	THREADED INSERT	2		
68		NSS	DECAL 1.83:1 (12 X 22)	1		4
69		73345A 1	THRUST HUB	1		
70	11	69578A 1	PROP NUT	1		
71	14	76281	TAB WASHER	1		
72	10	40002 80	SCREW	4		